



Abbott

REDEFINE PERFORMANCE WITH PROVEN TECHNOLOGY AND DESIGN FOR BLOOD AND PLASMA SCREENING



ALINITY i

ALINITY. YOUR TOTAL LAB SOLUTION, DESIGNED TO DELIVER:



PRODUCTIVITY

Maximize the output of every square foot of your laboratory

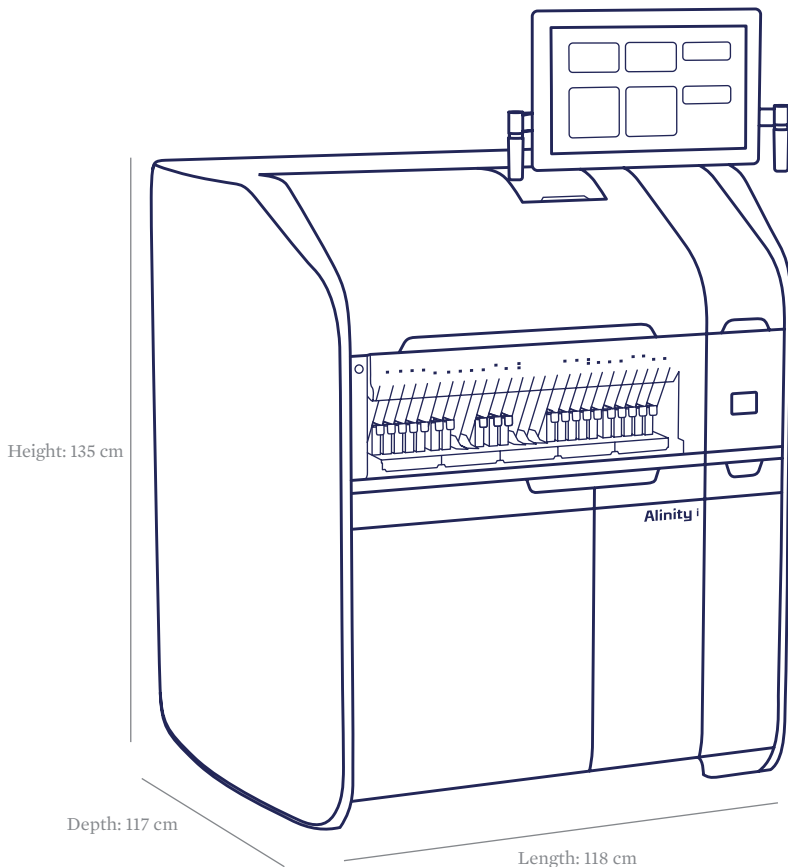
In today's uncertain environment, laboratories need to be able to quickly adapt to daily changes, as well as plan for the long-term, to ensure high quality and consistent delivery of results.

A compact, scalable solution built to maximize throughput and efficiency, the Alinity i System empowers high-performing screening centers to run at their best today and into the future.

The Alinity i System delivers a throughput of up to 200 tests per hour. Additionally, with 47 onboard reagent positions, the system facilitates enhanced workflow, freeing the operator to focus on other value added tasks within the screening laboratory.

Capacities and capabilities that free your staff

- Minimum four hours walkaway time
- 150 sample load up capacity
- Scalability designed to enable connection of multiple Alinity i configuration, customizing throughput



HIGH THROUGHPUT
IN A MINIMAL
FOOTPRINT

IMPROVE THE VALUE YOUR LABORATORY BRINGS TO YOUR ORGANIZATION.



PROCESS AUTOMATION

Automate process control within your laboratory.

The Alinity i System only requires assay calibrations to be run once every thirty days* and assay controls to be run once every twenty four hours (or with changes in reagent lot number).

The system also identifies initially reactive samples for automated retesting, removing the manual task of identifying and re-loading sample tubes by the operator.

Built by scientists and engineers committed to transfusion medicine, the Alinity i System is designed to run complex processes more efficiently in adherence to quality standards of blood and plasma screening.

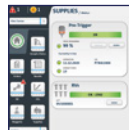
The value of innovative engineering



Continually load and unload supplies without stopping or pausing the system. Load on the fly while the system continues to run.



Alinity i reagents are in a single form factor allowing for easy loading of cartridges with up to 600 tests each. The reagents can be continuously added without interrupting processing.



The Alinity i System offers a simple, intuitive, user interface to improve the user experience. The Alinity i System home screen allows the user to easily identify system and processing status.



Alinity i bottle caps extend the cGMP of the laboratory through unique keyed design and color coding of the bulk solutions. The unique Alinity i caps ensure proper placement on the system. The bulk solutions can be continuously added without interrupting processing.

Enhancing cGMP for your laboratory

- Full traceability of every reagent, solution and operator that interacts with a result
- Provide consistent, high quality performance, through error-proof design elements that give confidence in results

*Alinity i Chagas requires calibration once every fourteen days.

More than ever, the community around you counts on your organization to ensure safe blood and plasma supply. That's why at Abbott, we work with our customers to propel their organization to the forefront of science and technology.

DISCOVER PERSONALIZED SOLUTIONS AT
TRANSFUSION.ABBOTT



TRANSFUSION.ABBOTT

© 2025 Abbott. All rights reserved. All trademarks referenced are trademarks of either the Abbott group of companies or their respective owners.

For information on materials required for operation of the system, refer to the Alinity ci-series Operations Manual operations manual, section 1.

TM-25000982 7/2025

